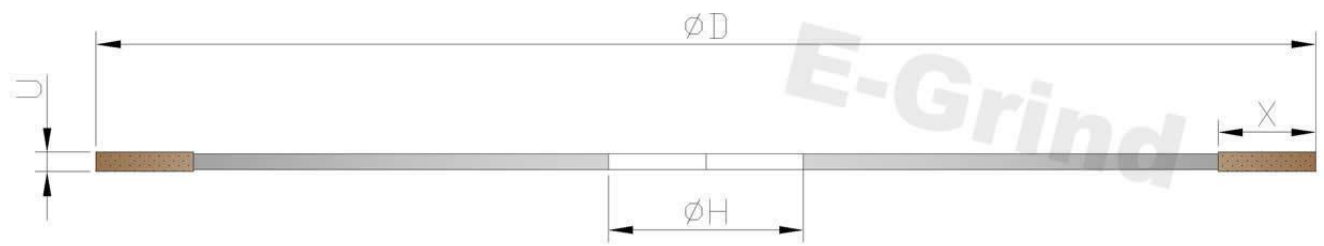


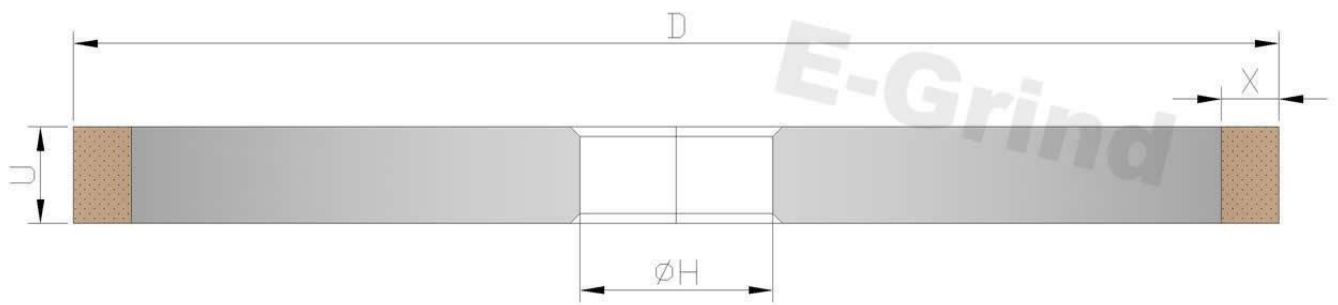
1A1R



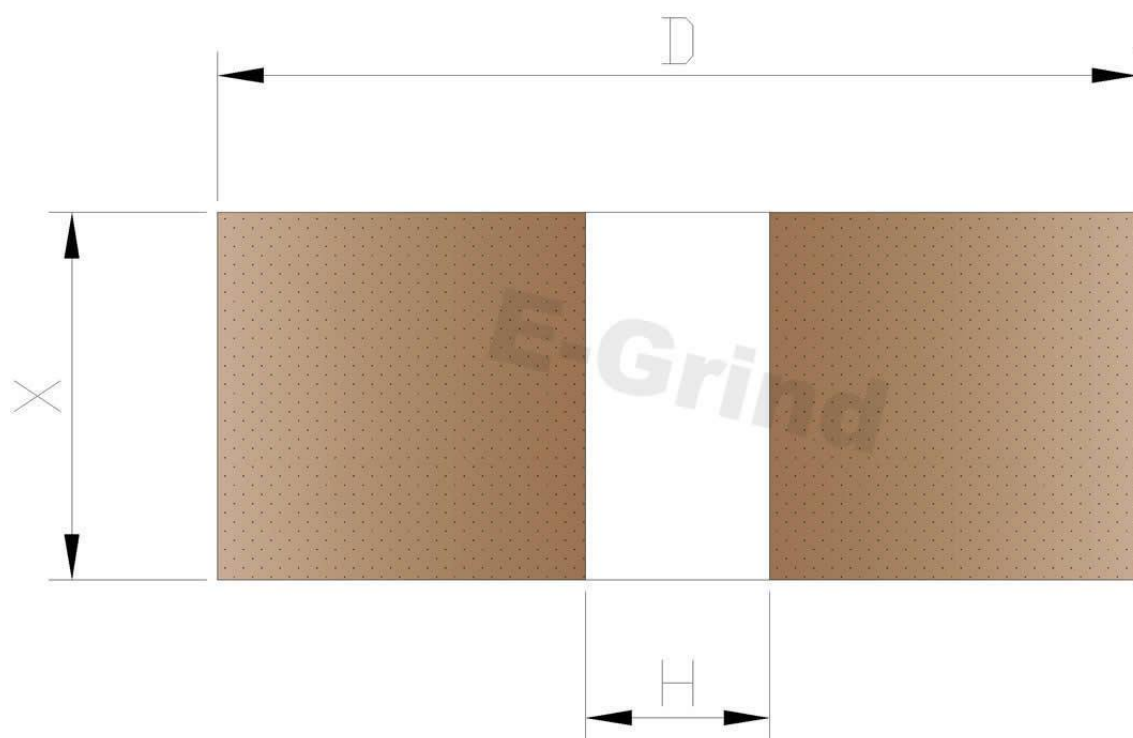
1A1W



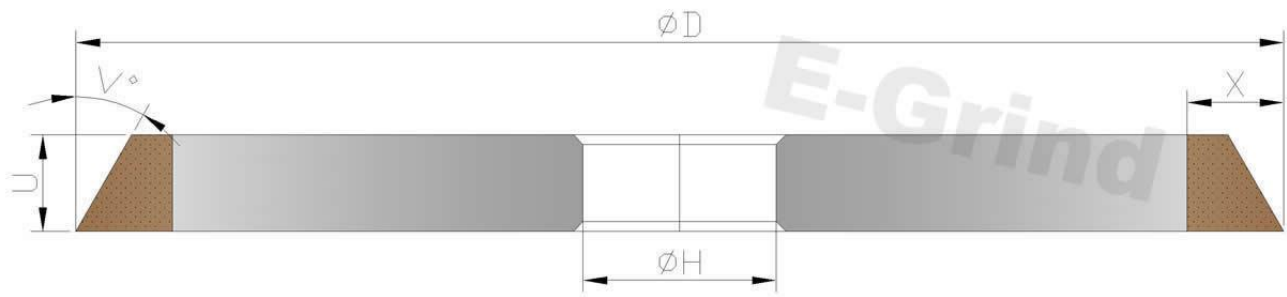
1A1



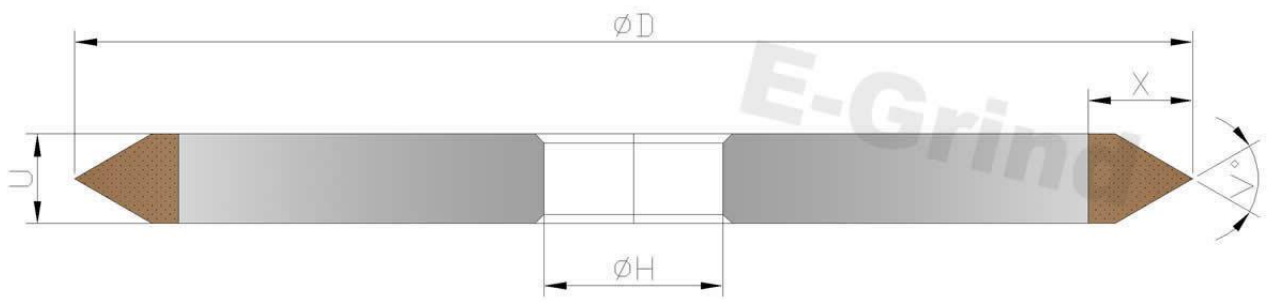
1A8



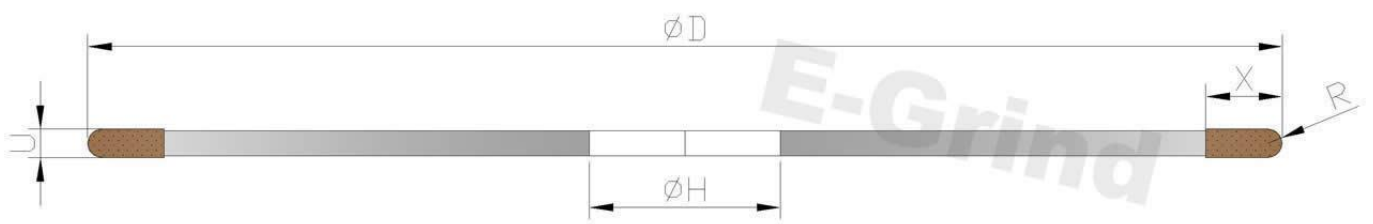
1B1



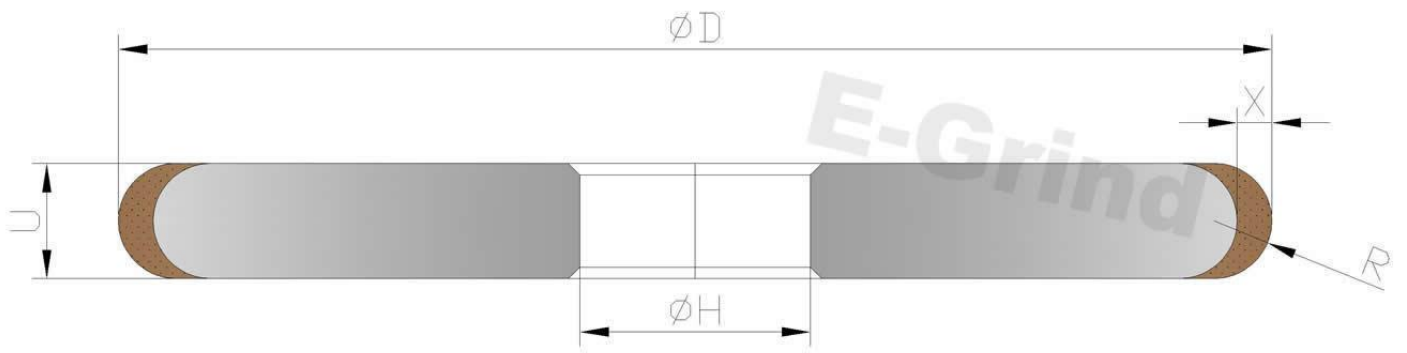
1E1



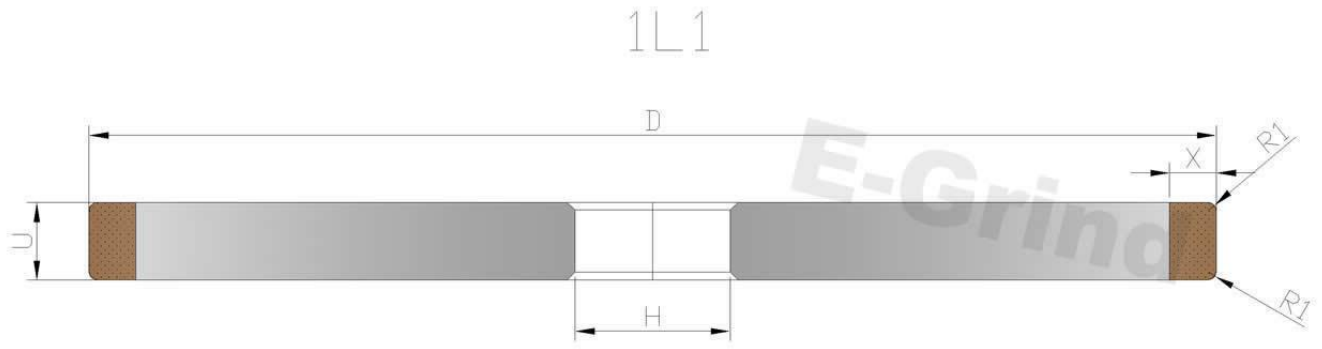
1F1R



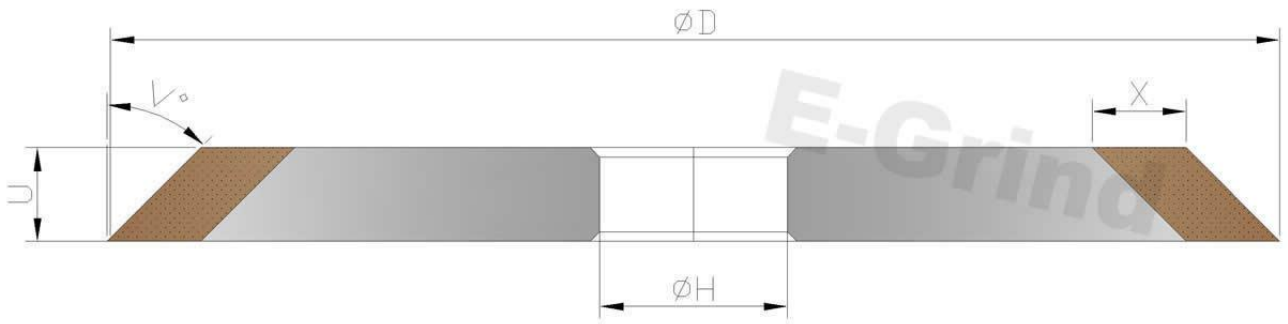
1FF1







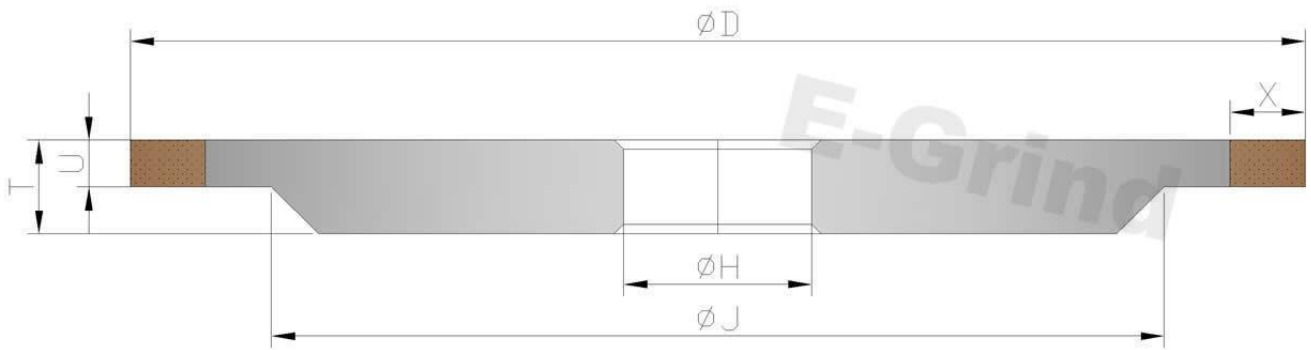
1V1



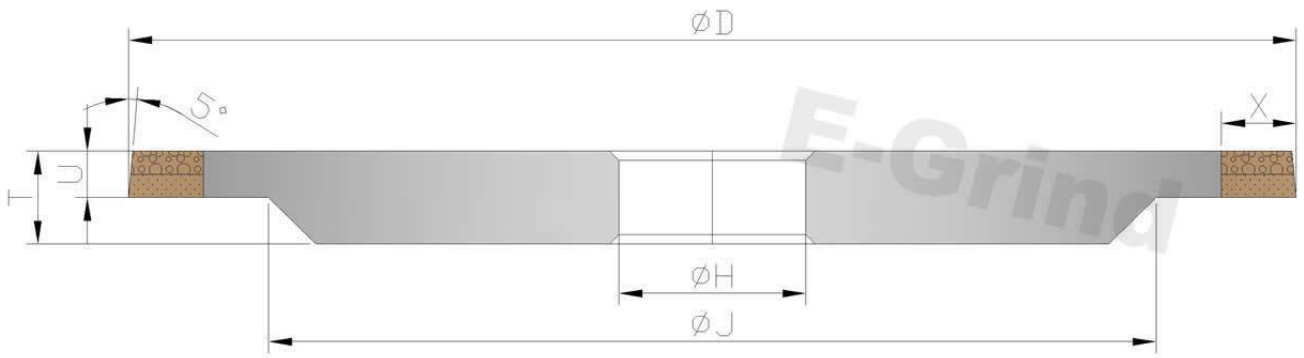
2A2T



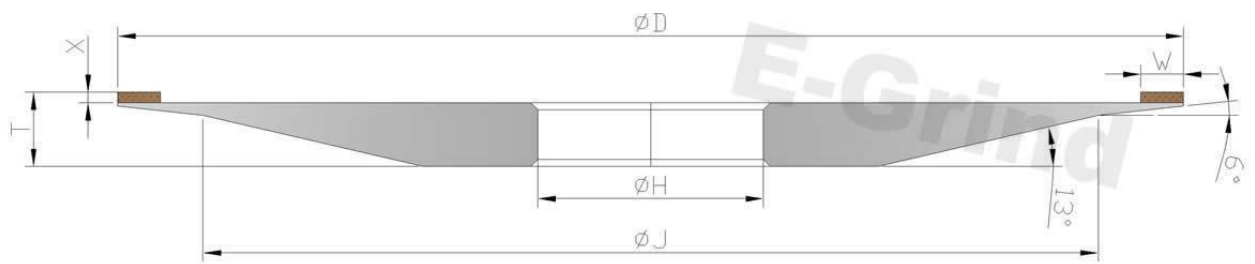
3A1



3AA1

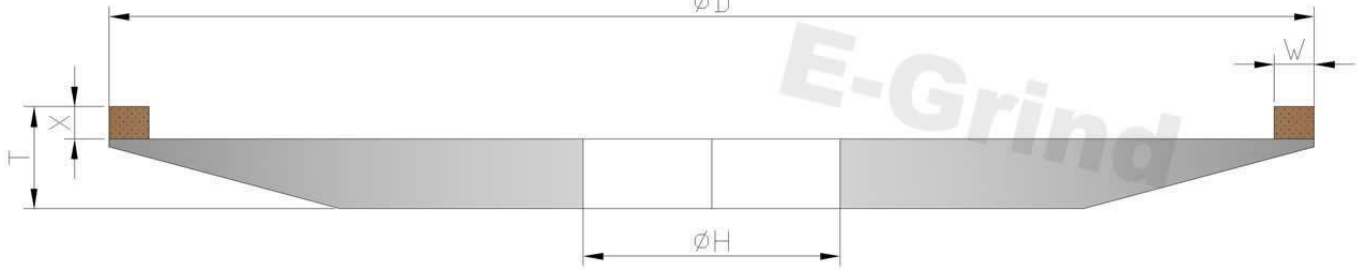


4A2PTR

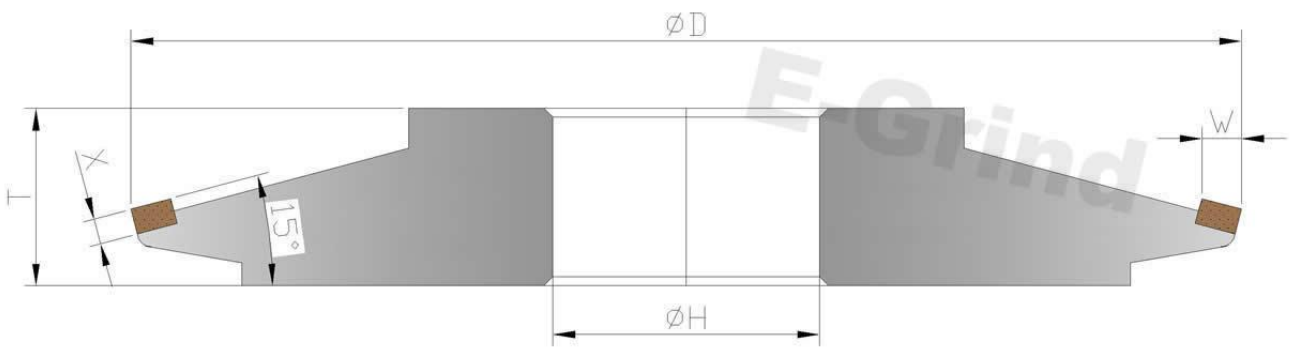


4A2P

$\varnothing D$

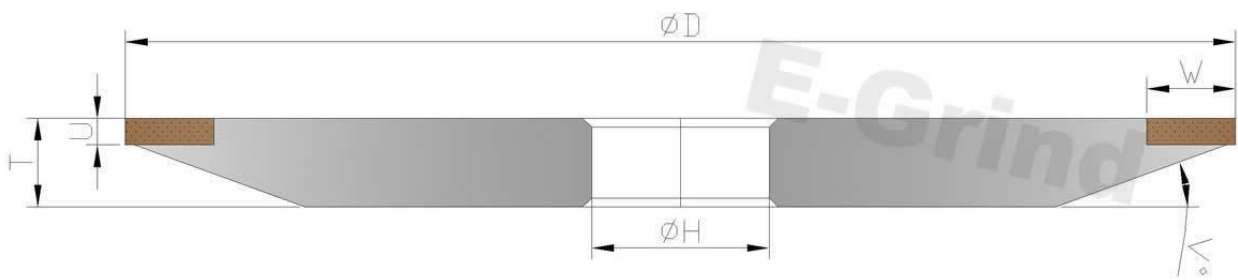


4A5

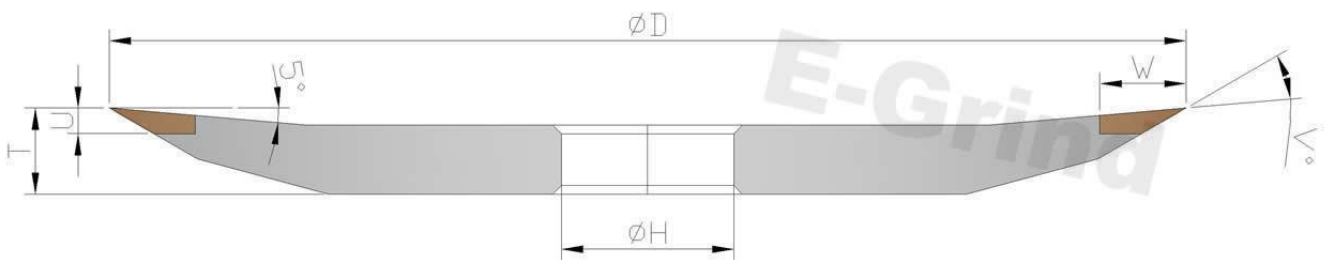




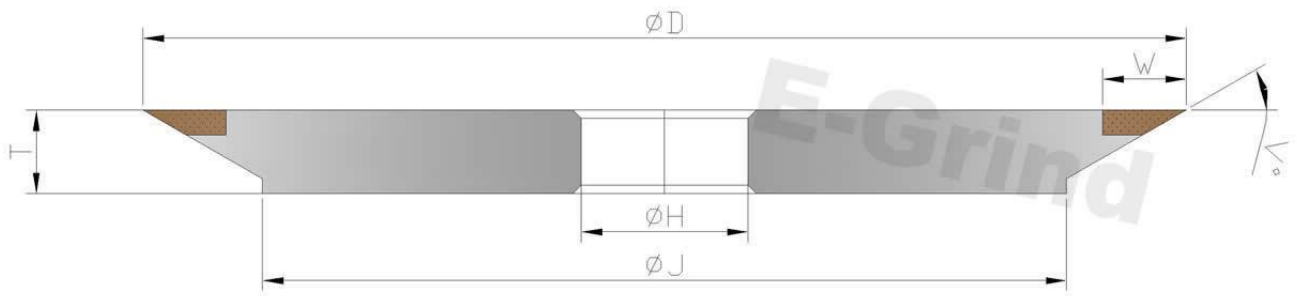
4A9



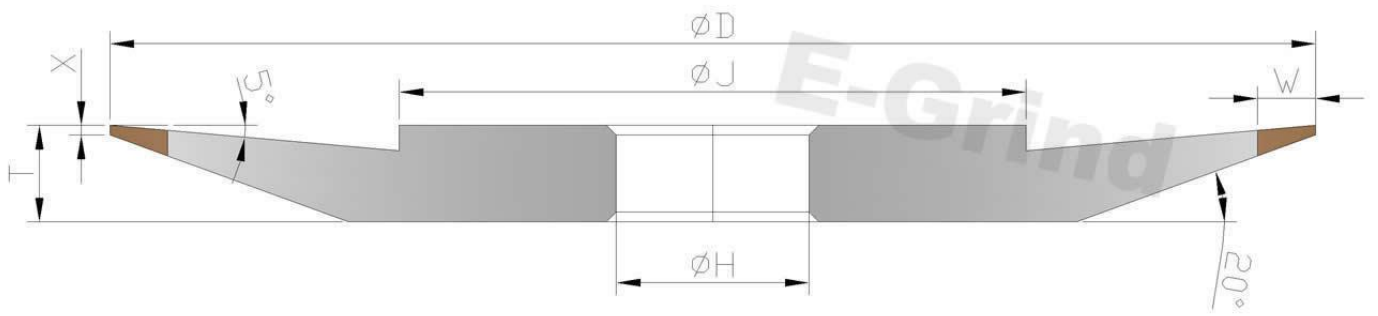
4B4



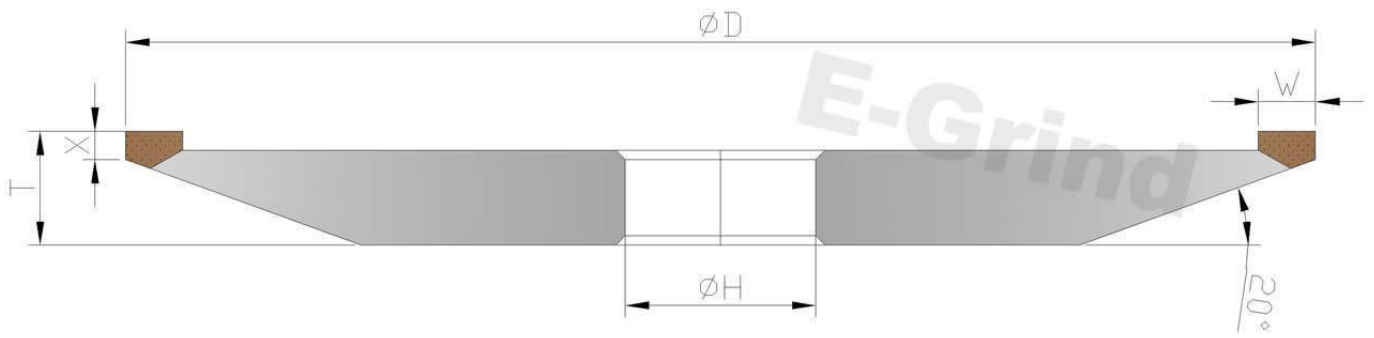
4B9



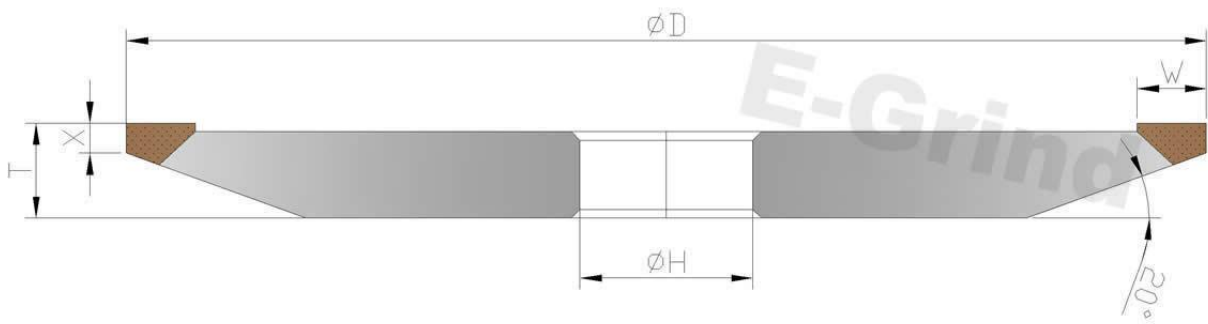
4BT9



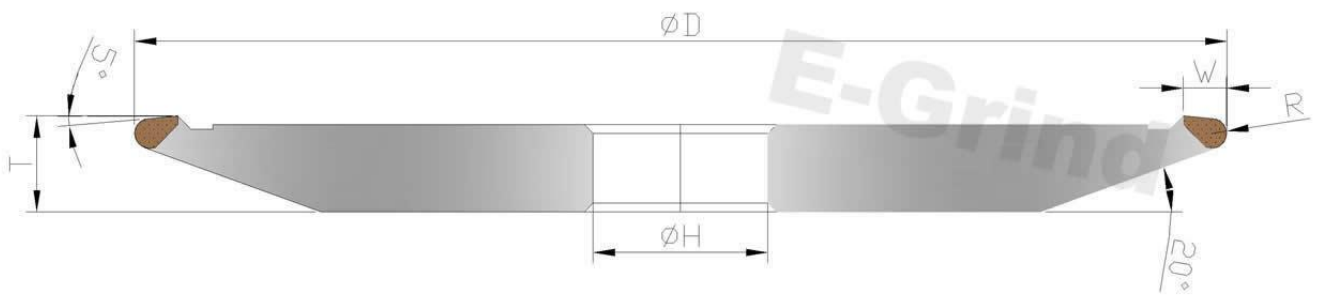
4E9P



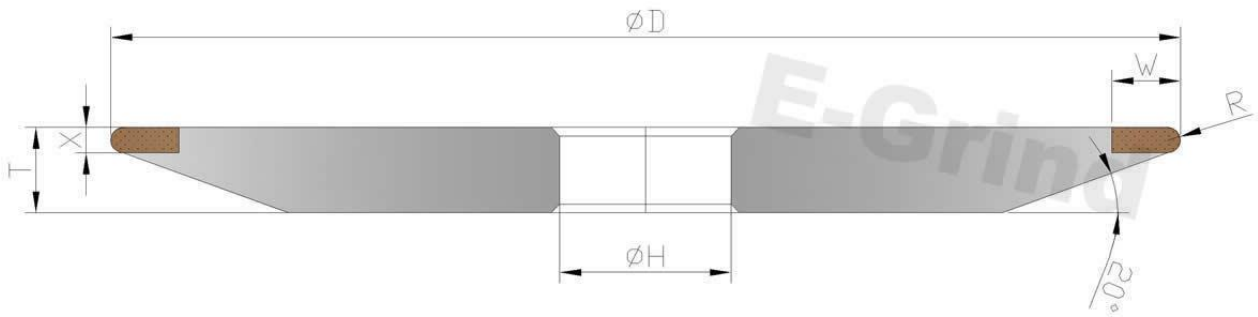
4ET9



4F5

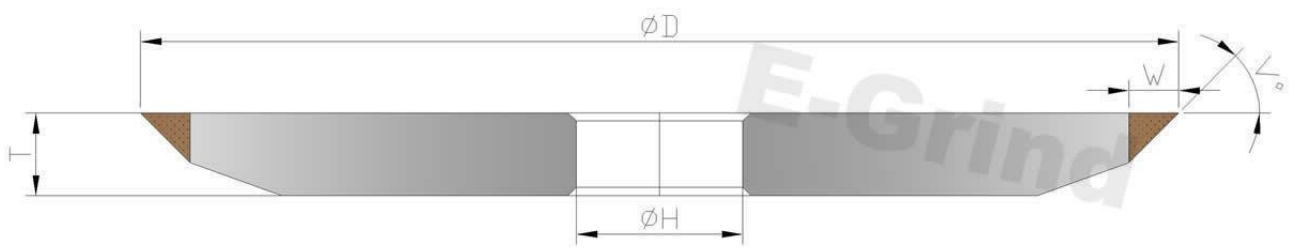


4F9

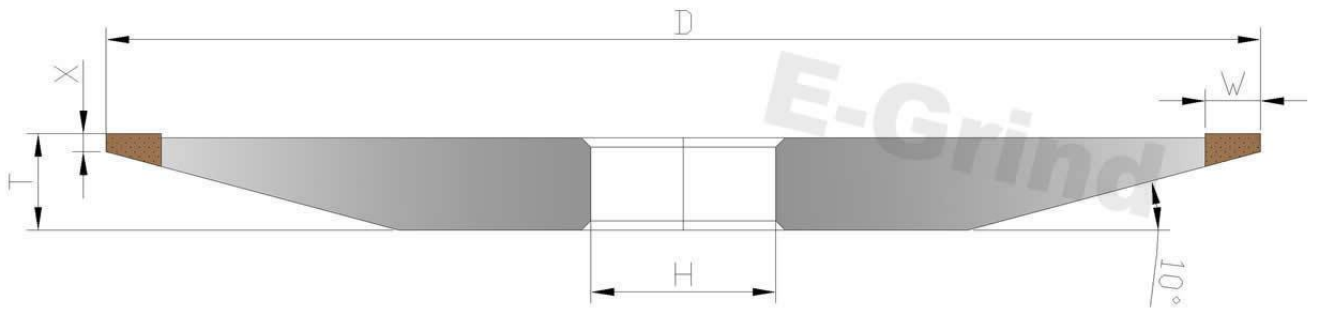




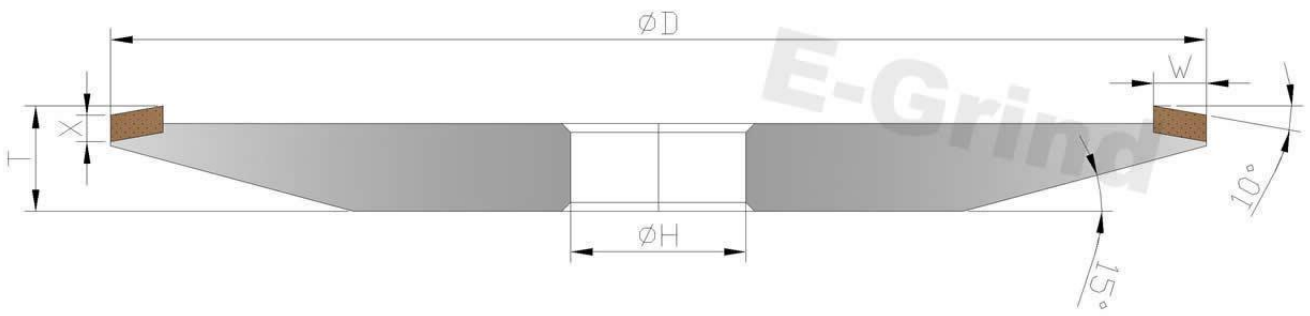
4K9



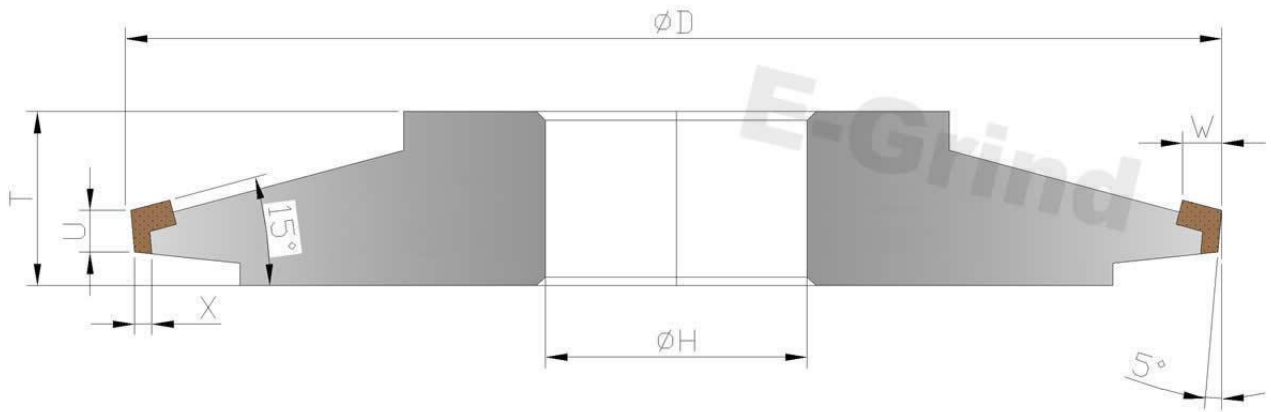
4T1



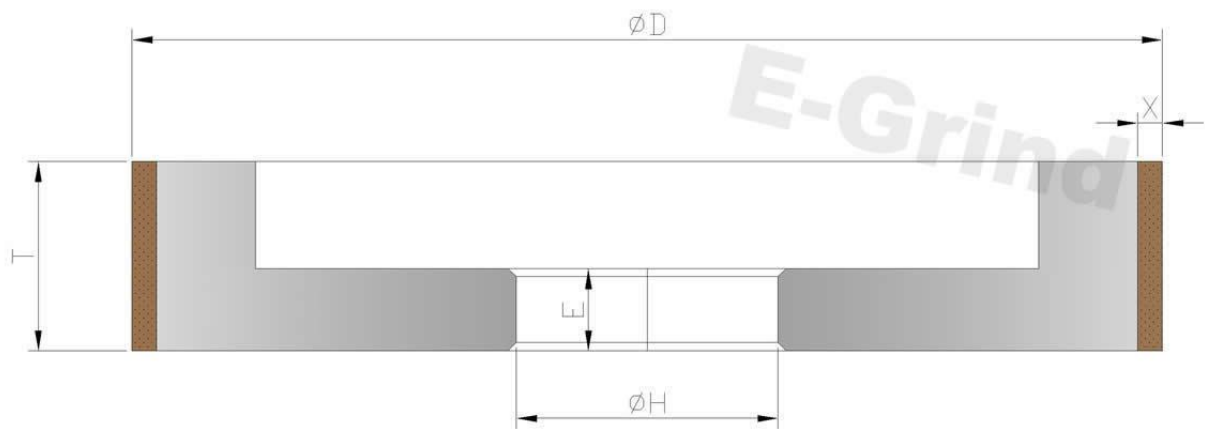
4V5



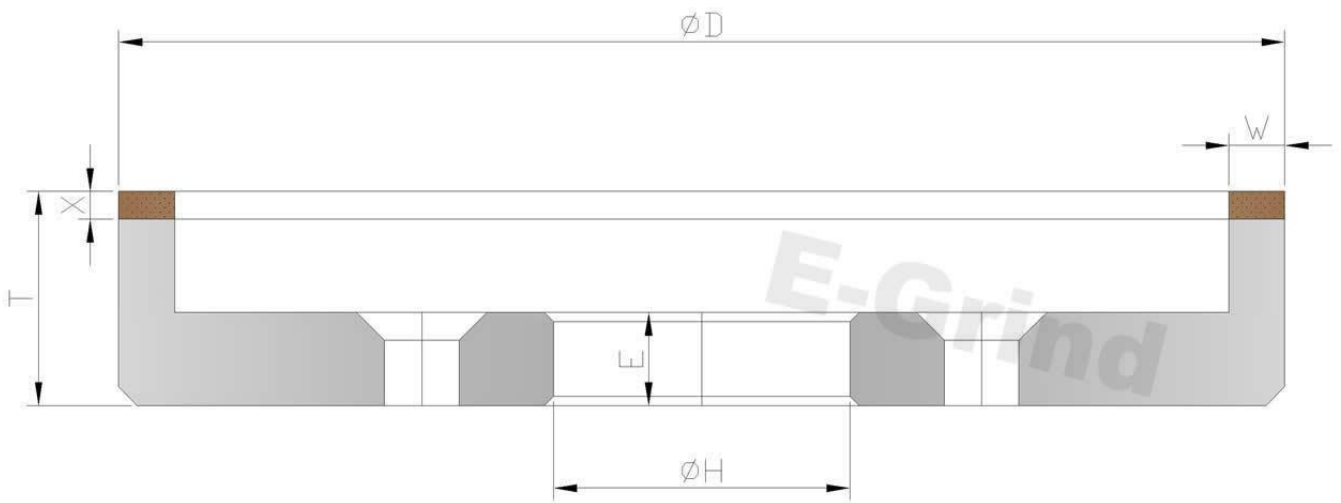
4Y9



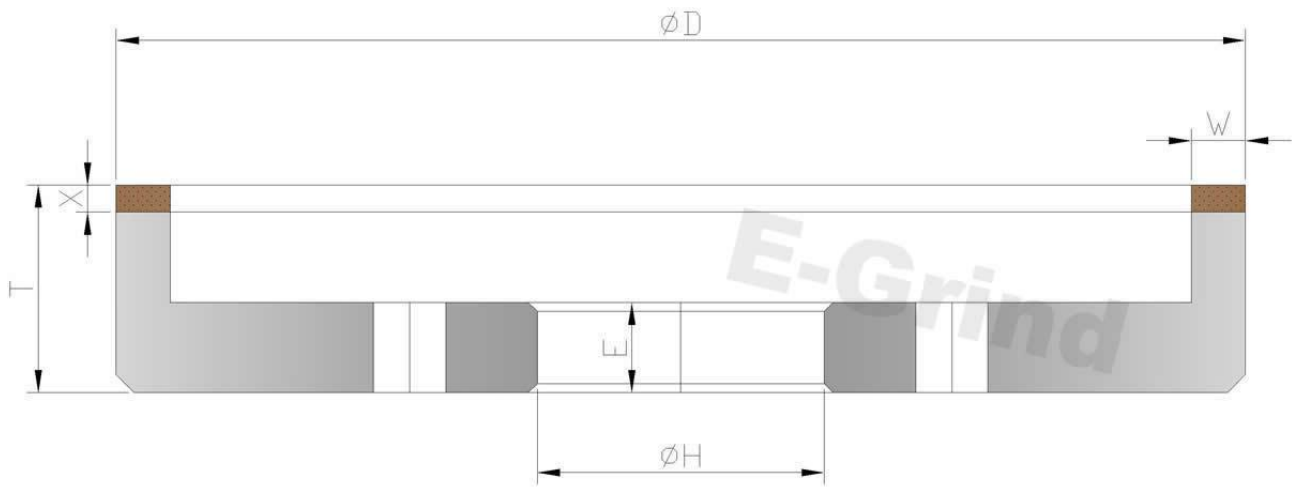
6A1



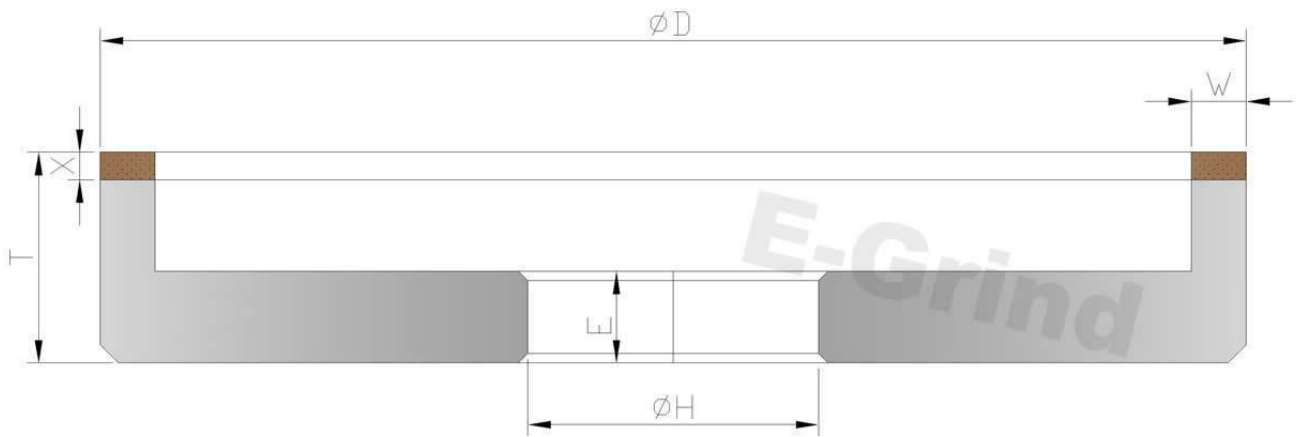
6A2C



6A2H

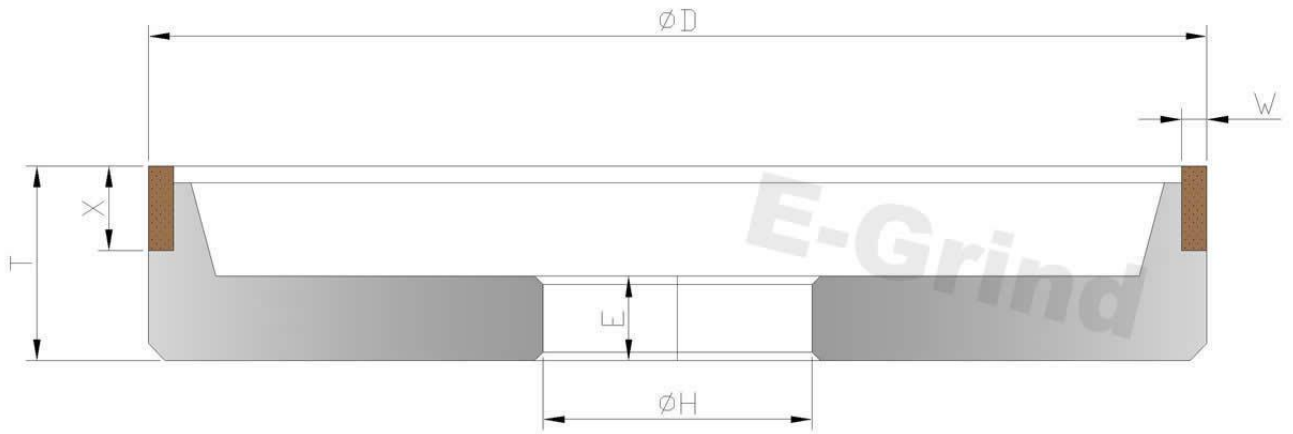


6A2

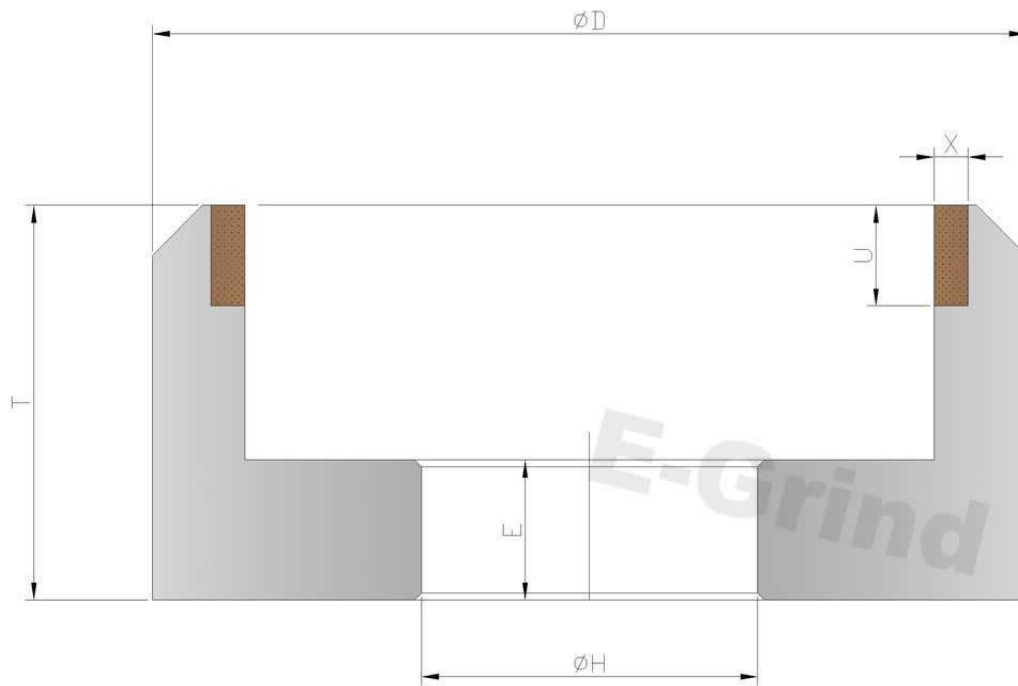




6A9

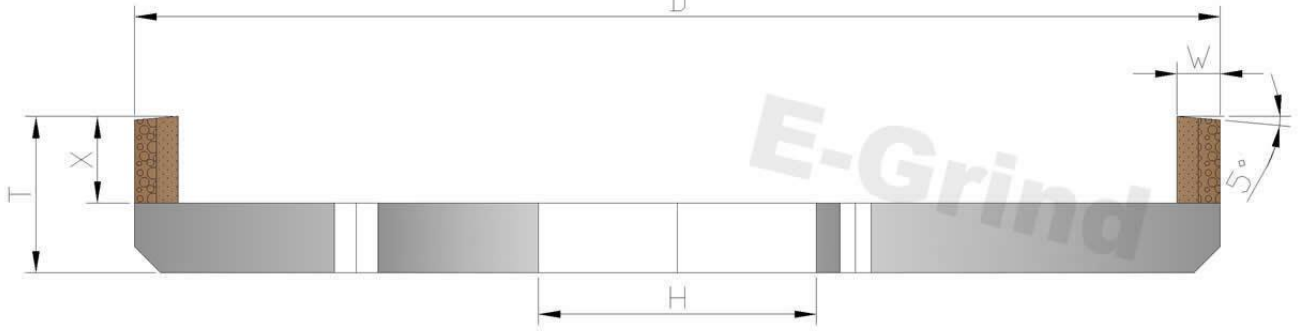


6A10

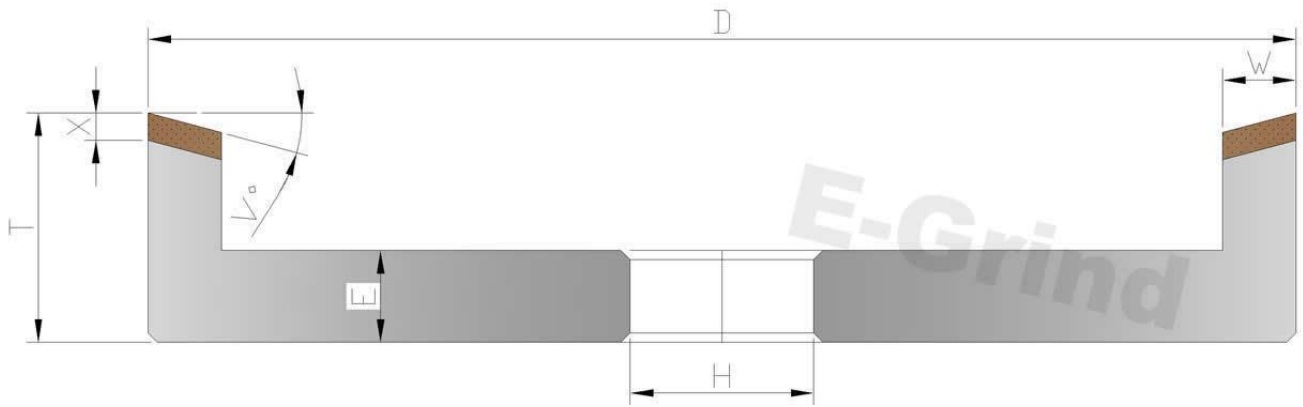


6AA2

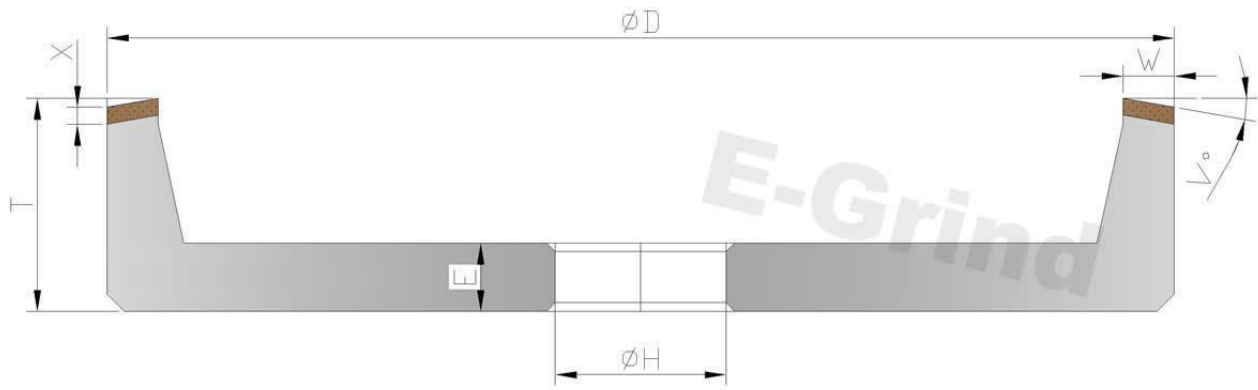
D



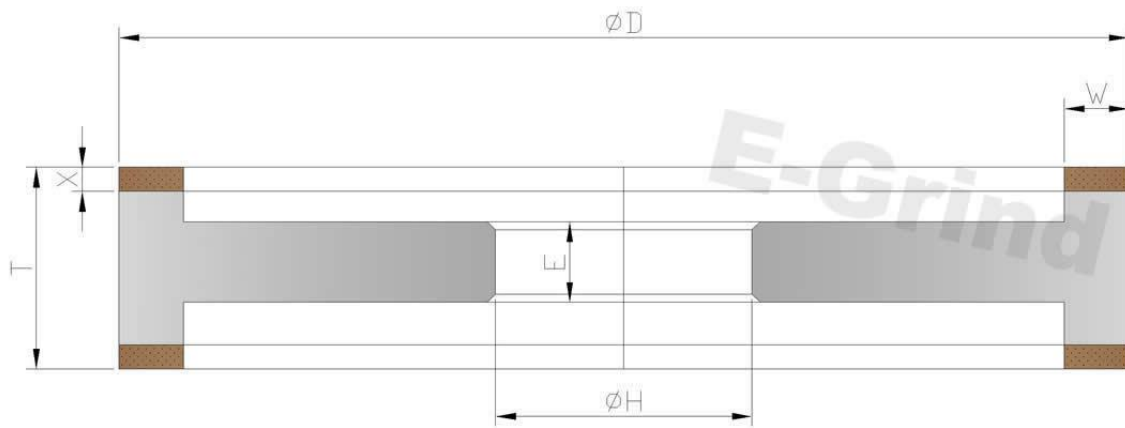
6V4



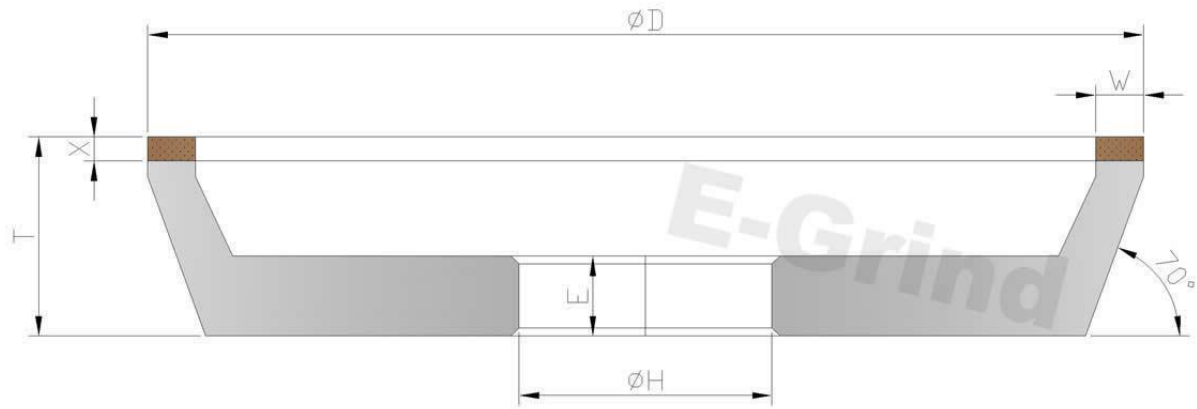
6V5



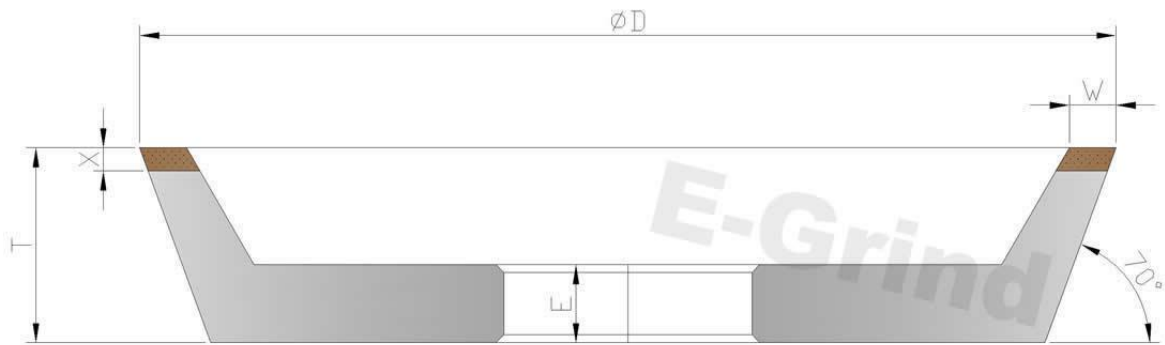
9A3



11A2

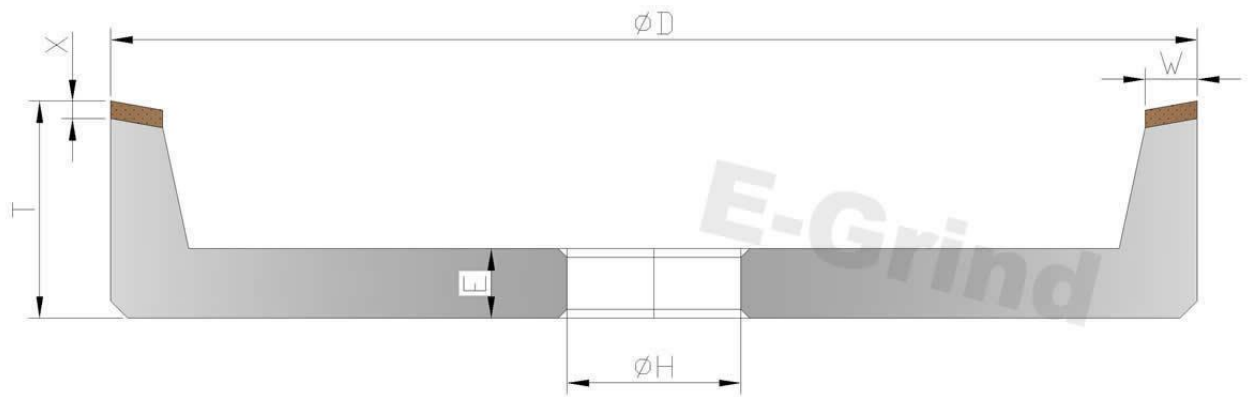


11B2

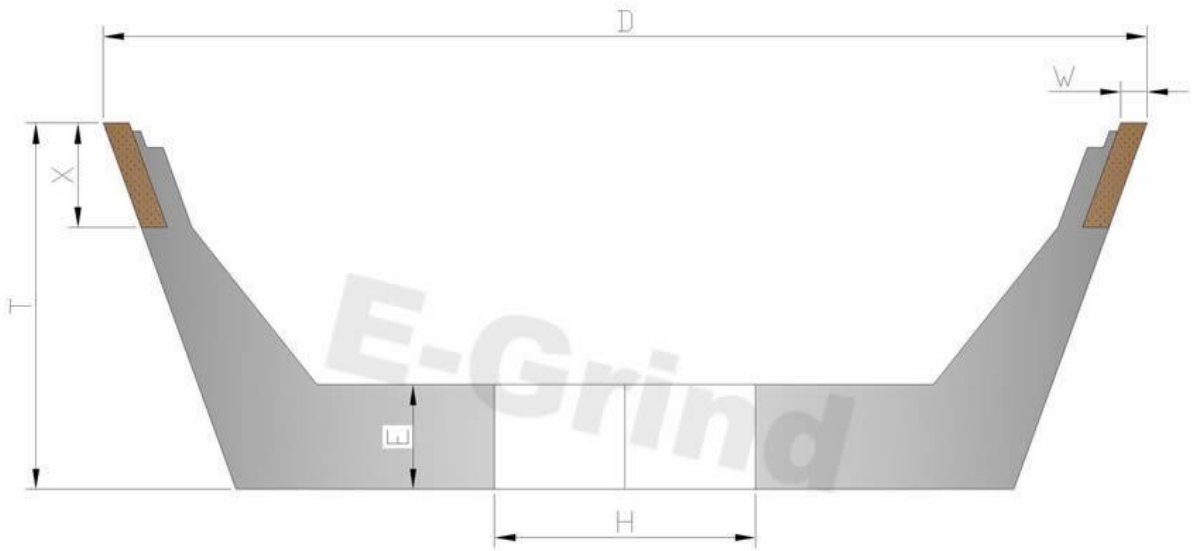
















11V4



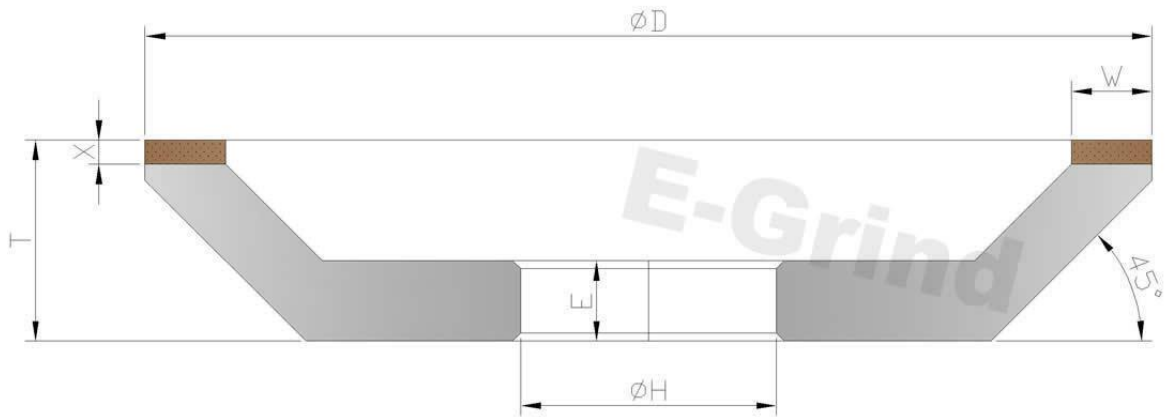
11V9



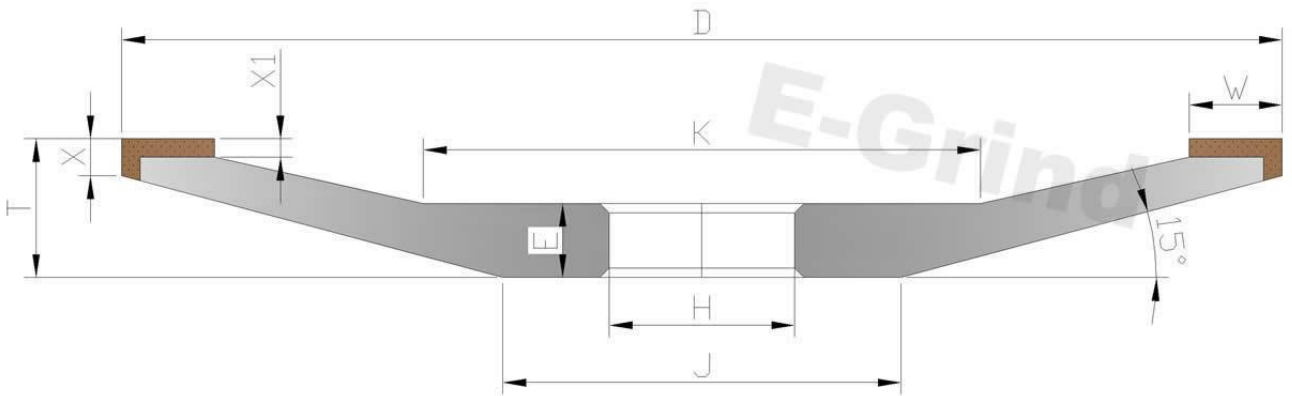
## 4.2 Mounted wheels and points

1A1W	
1A1PW	
1D1W	
1E1W	
1F1W	
1G1W	
1K1W	
1R1W	
1U1W	
1T1W	
1V1W	
11V2W	

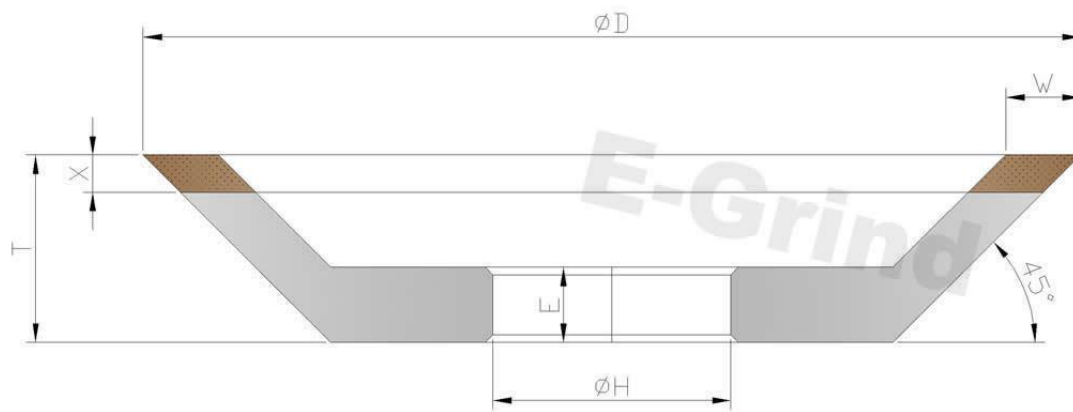
12A2



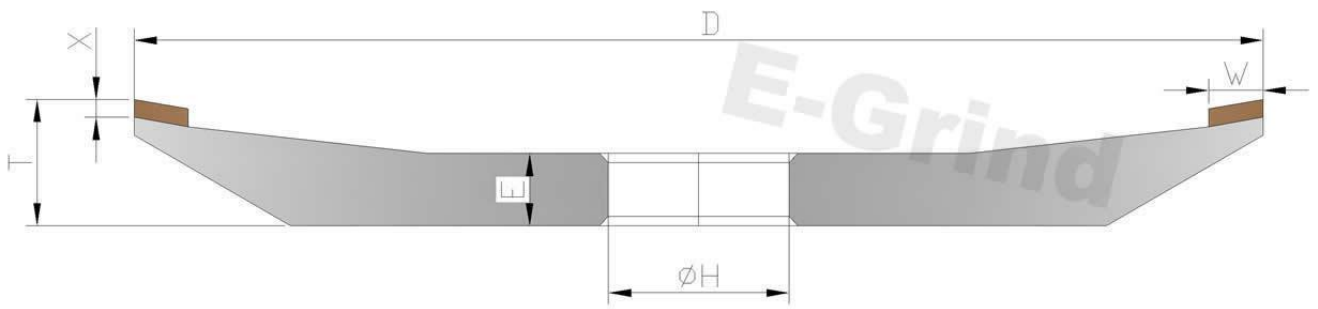
12C2



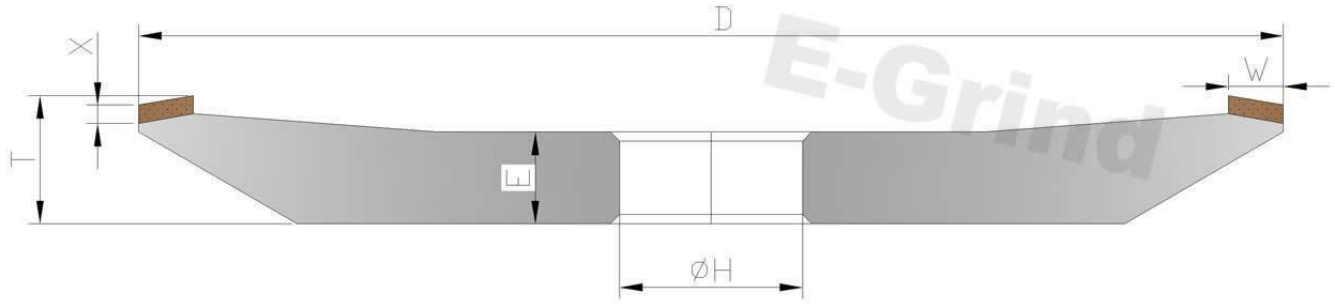
12V2



12V4

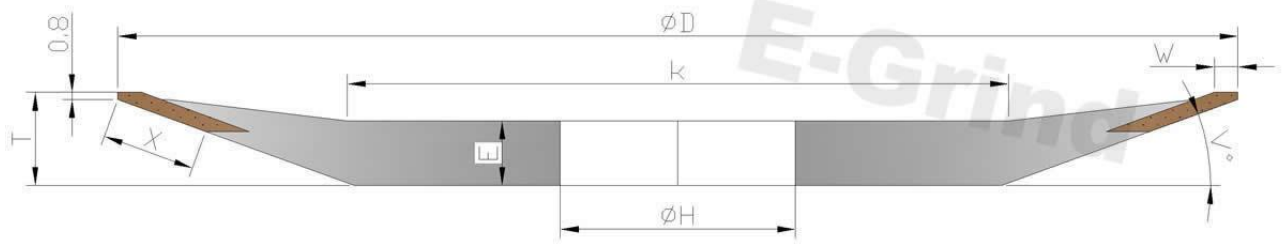


12V5

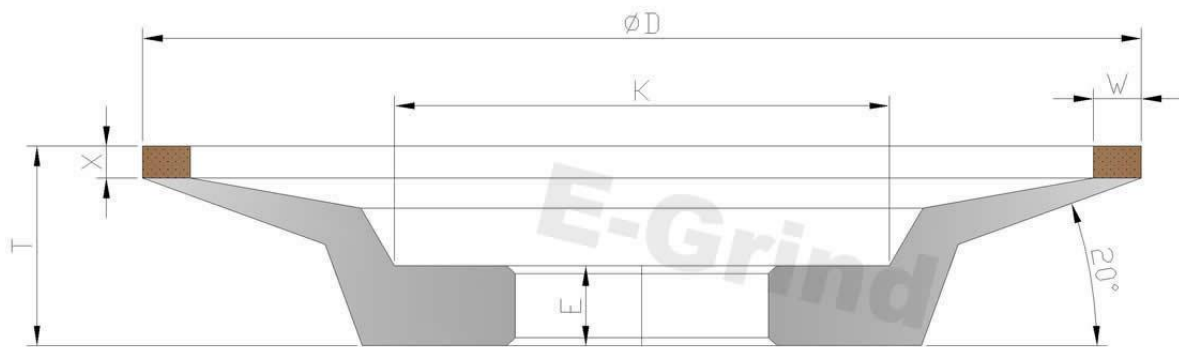




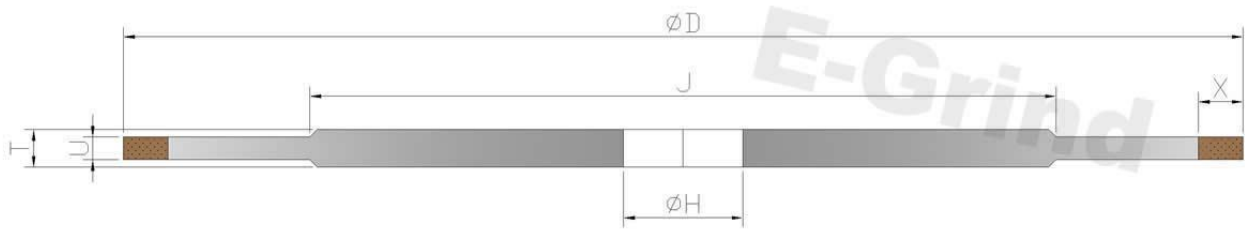
12V9



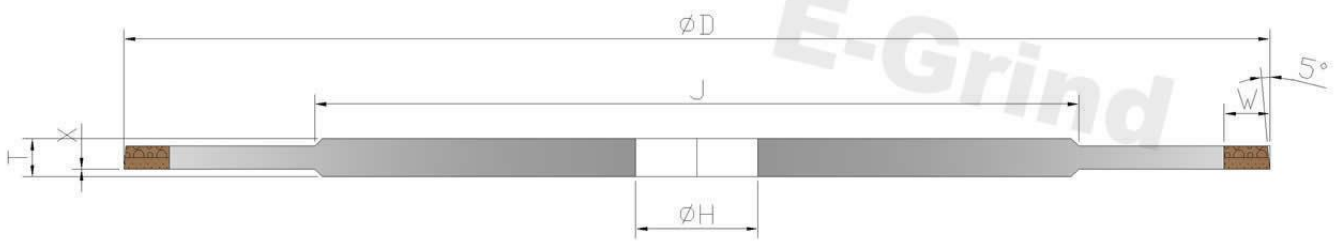
13A2



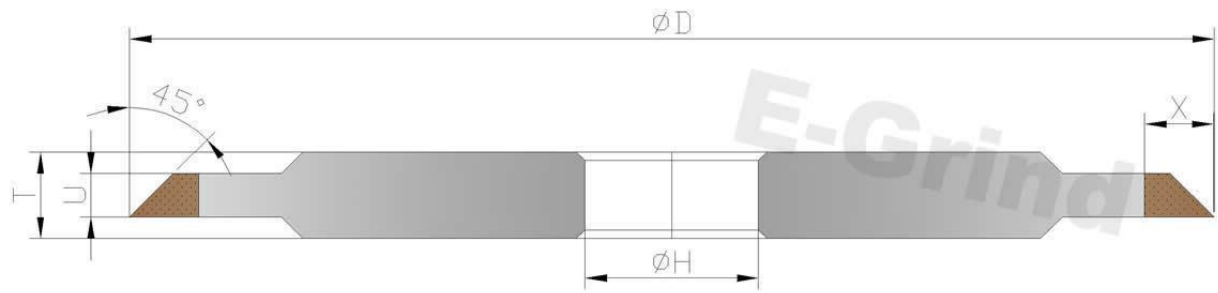
14A1



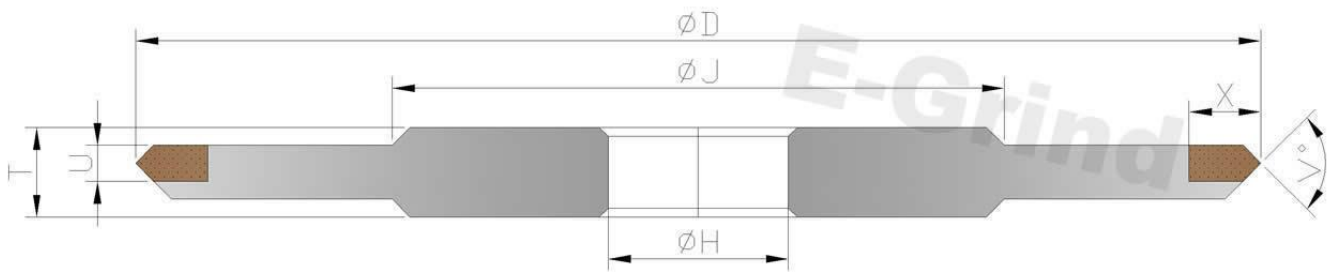
14AA1



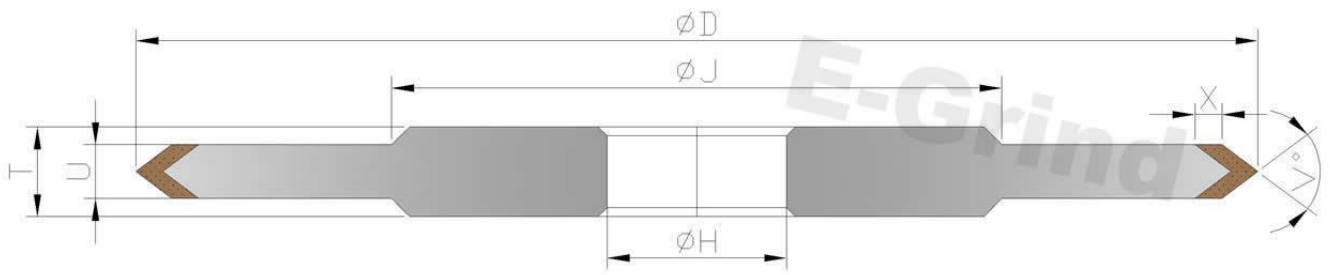
14 B1



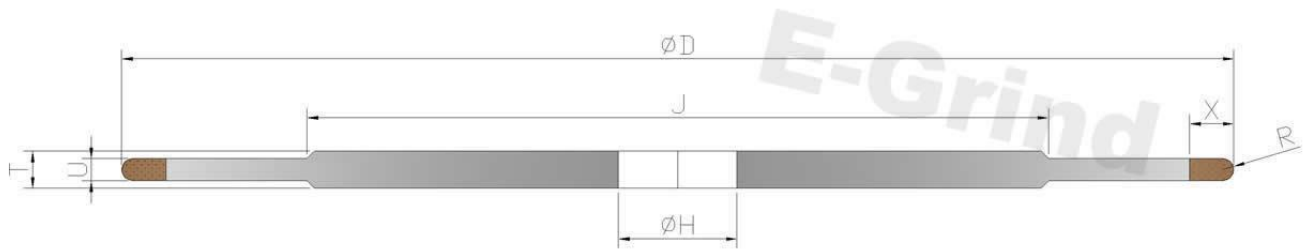
14E9



14EE1

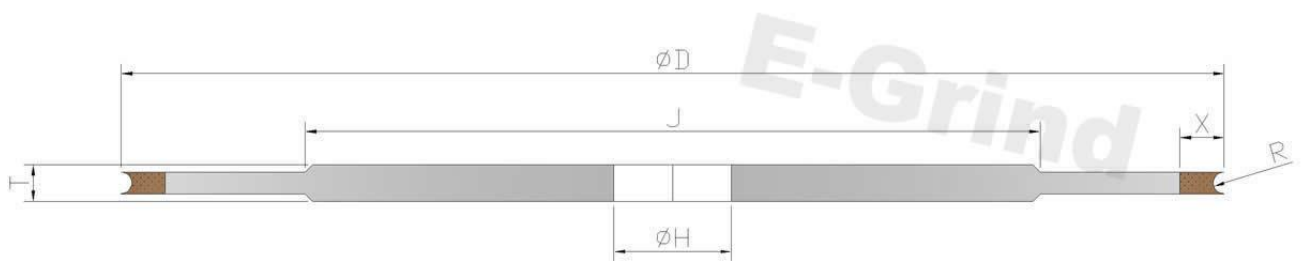


14F1

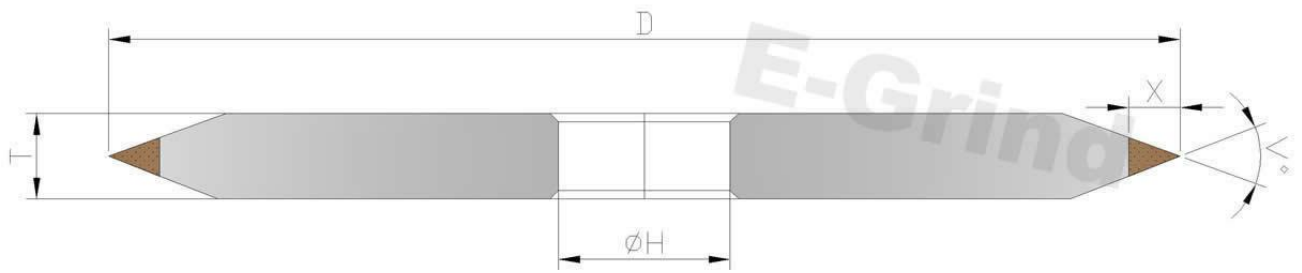




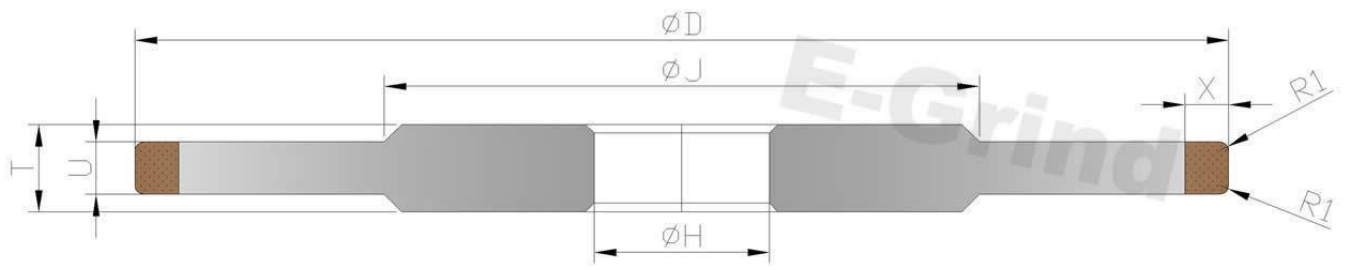
14F6Y



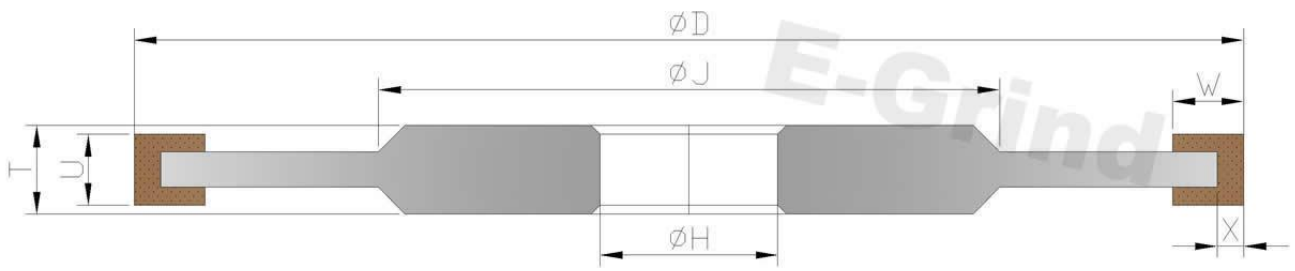
14K1



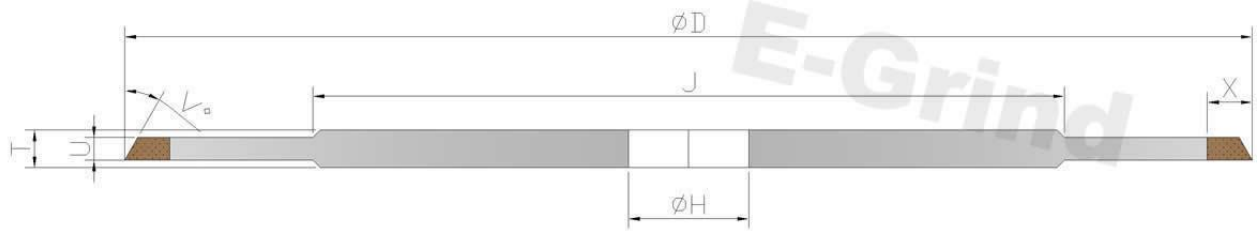
14L1



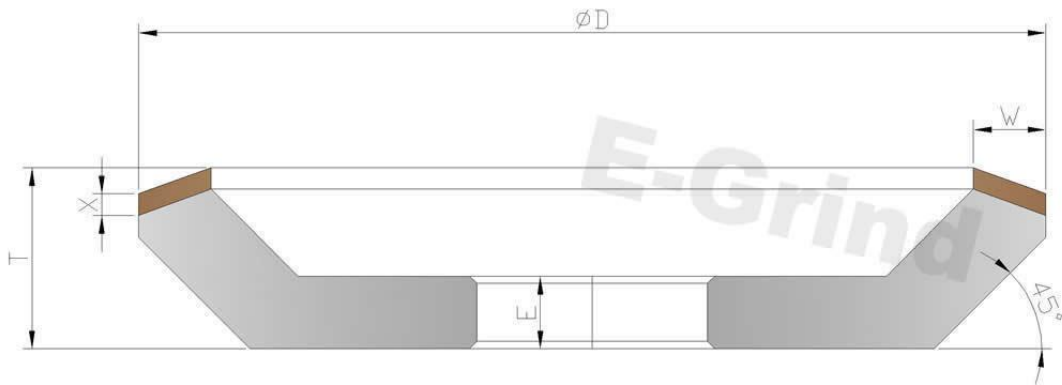
14U1



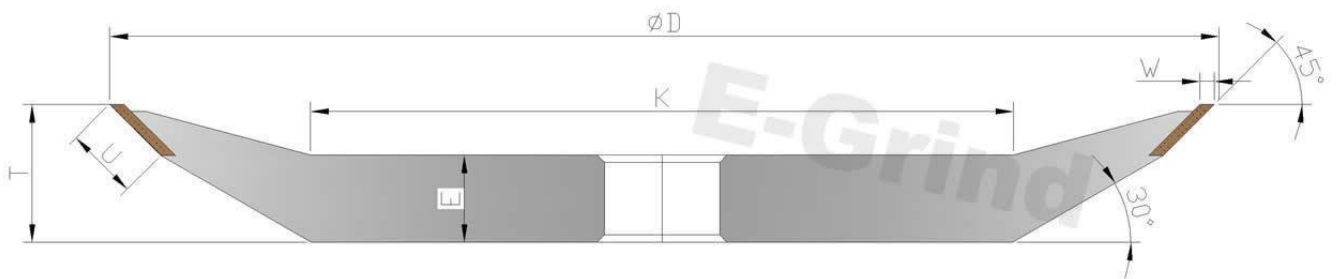
14V1



15A2



15V9



16A2

